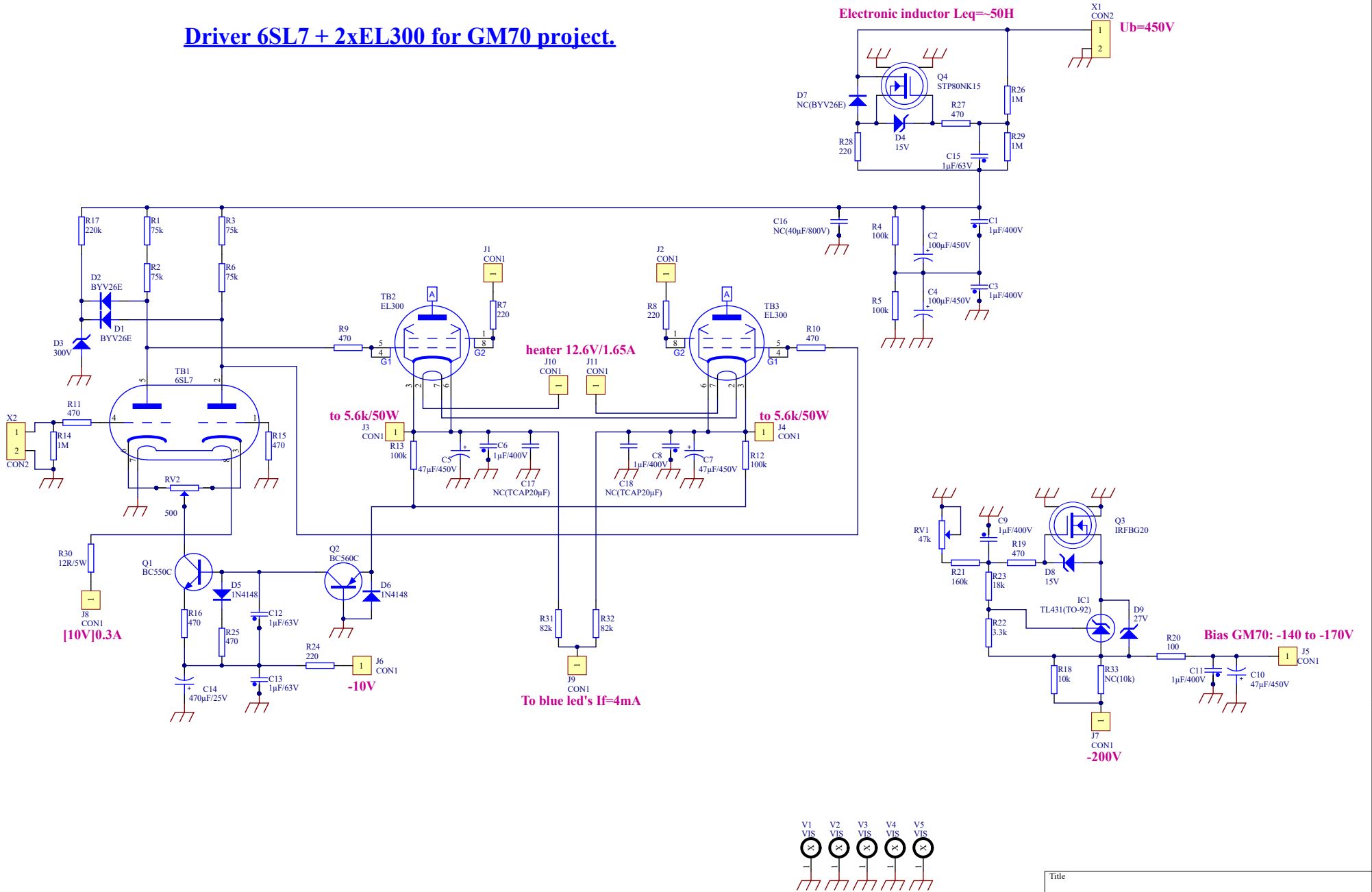


Driver 6SL7 + 2xEL300 for GM70 project.



Title		
Size	Number	Revision
A3		
Date:	07-12-18	Sheet of
File:	D:\Altim-doc-sk\driver el300+6sl7	1

