

Audiom TD5

Titanium inverted dome tweeter



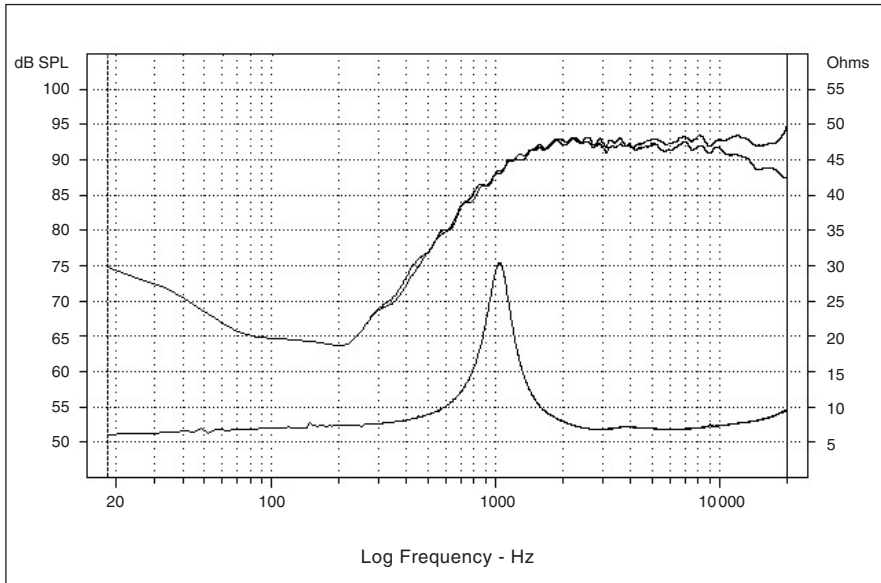
- 5mm thick precision machined solid aluminium face plate
- Inverted titanium dome, coated foam surround
- 20mm diameter voice coil, aluminium former, Ferrofluid cooled
- Efficiency: 94dB
- High force Neodymium ring magnet, telar 57 pole and plates, phase plug



Specifications

Nominal power	15 W	
Maximum power	150 W	
Sensitivity		
Cone	titane	
Surround		
Nom. impedance	6 ohms	
DC resistance	5.85 ohms	
VC diameter	20 mm	3.1 in
VC height	2 mm	0.08 in
Former	aluminium	
Layers	1	
Wire	copper	
Inductance	1.15 mH	
Xmax	0.9 mm	0.04 in
Magnet d x h	51 x 7 mm	2 x 0.27 in
Magnet weight	69 g	0.15 lb
Flux density	1.9 T	
Gap height	0.3 mm	0.01 in
Net weight	0.25 kg	0.55 lb

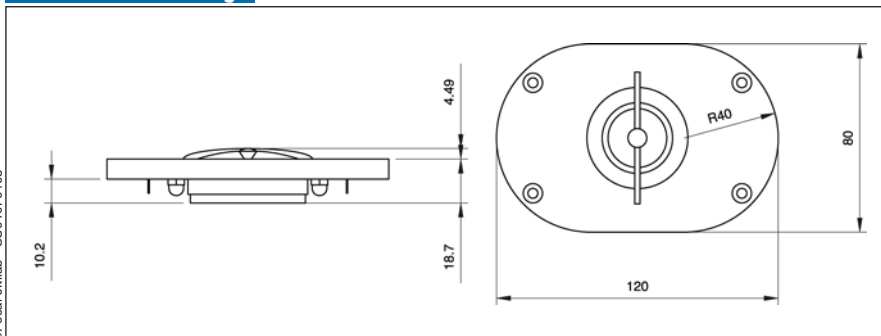
Frequency Response / Impedance



Parameters

Fs	1031.5 Hz
Vas	
Qts	0.69
Qes	0.86
Qms	3.48
Re	5.85 ohms
Sd	0.1 Cm ²
Cas	
Mas	
Ras	
Cms	
Mms	
Rms	
Ces	
Les	
Res	
BI	
SPL	

Mechanical Drawing



Suggested application

Load	V (l)	Fb (Hz)	F-3 (Hz)	Ql

Focal® is a trademark of Focal-JMLab®